

**BALDOR® • RELIANCE** 

**Product Information Packet**

**IDM3584T**

**1.5HP, 1760RPM, 3PH, 60HZ, 145TC, 0530M, TEBC**

Part Detail							
Revision:	P	Status:	PRD/A	Change #:		Proprietary:	No
Type:	AC	Elec. Spec:	05WGX008	CD Diagram:	CD0005	Mfg Plant:	
Mech. Spec:	05E535	Layout:	05LYE535	Poles:	04	Created Date:	03-05-2008
Base:	RG	Eff. Date:	06-26-2019	Leads:	9#18		

Specs			
Catalog Number:	IDM3584T	Insulation Class:	H
Enclosure:	TEBC	Inverter Code:	Inverter Duty
Frame:	145TC	KVA Code:	L
Frame Material:	Iron	Lifting Lugs:	Standard Lifting Lugs
Output @ Frequency:	1.500 HP @ 60 HZ	Locked Bearing Indicator:	Locked Bearing
Synchronous Speed @ Frequency:	1800 RPM @ 60 HZ	Motor Lead Quantity/Wire Size:	9 @ 18 AWG
Voltage @ Frequency:	460.0 V @ 60 HZ	Motor Lead Exit:	Ko Box
	230.0 V @ 60 HZ	Motor Lead Termination:	Flying Leads
XP Class and Group:	None	Motor Type:	0530M
XP Division:	Not Applicable	Mounting Arrangement:	F1
Agency Approvals:	CSA	Power Factor:	76
	UR	Product Family:	General Purpose
Auxillary Box:	No Auxillary Box	Pulley End Bearing Type:	Ball
Auxillary Box Lead Termination:	None	Pulley Face Code:	C-Face
Base Indicator:	Rigid	Pulley Shaft Indicator:	Standard
Bearing Grease Type:	Polyrex EM (-20F +300F)	Rodent Screen:	None
Blower:	BLOWER	Shaft Extension Location:	Pulley End
Current @ Voltage:	2.100 A @ 460.0 V	Shaft Ground Indicator:	No Shaft Grounding

	4.200 A @ 230.0 V	<b>Shaft Rotation:</b>	Reversible
	4.600 A @ 208.0 V	<b>Shaft Slinger Indicator:</b>	Shaft Slinger
<b>Design Code:</b>	B	<b>Speed Code:</b>	Single Speed
<b>Drip Cover:</b>	No Drip Cover	<b>Motor Standards:</b>	NEMA
<b>Duty Rating:</b>	CONT	<b>Starting Method:</b>	Direct on line
<b>Electrically Isolated Bearing:</b>	Not Electrically Isolated	<b>Thermal Device - Bearing:</b>	None
<b>Feedback Device:</b>	NO FEEDBACK	<b>Thermal Device - Winding:</b>	Normally Closed Thermostat
<b>Front Face Code:</b>	Encoder/Feedback Device	<b>Vibration Sensor Indicator:</b>	No Vibration Sensor
<b>Front Shaft Indicator:</b>	None	<b>Winding Thermal 1:</b>	None
<b>Heater Indicator:</b>	No Heater	<b>Winding Thermal 2:</b>	None

Nameplate NP1162L										
CAT NO	IDM3584T									
SPEC.	05E535X008G1									
FRAME	145TC				HP	1.5		TE		
VOLTS	230/460									
MAG CUR	2.4/1.2				FLA	4.2/2.1				
RPM	1760				RPM MAX	6000				
HZ	60			PH	3		CLASS	H		
SER.F.	1.00			DES	B		SL HZ	1.3		
NEMA-NOM-EFF	88.5			WK2	0.18					
BLWR V	115		PH	1		HZ	60		A	.5
RATING	40C AMB-CONT									
DE BRG	6205			ODE BRG	6203					
CC	010A		SN							

Parts List		
Part Number	Description	Quantity
SA169124	SA 05E535X008G1	1.000 EA
RA157407	RA 05E535X008G1	1.000 EA
LB1115N	LABEL,LIFTING DEVICE (ON ROLLS)	1.000 EA
HW3201A05	3/8-16 EYEBOLT	1.000 EA
WD1000B16	T&B CX70TN OR L70P TERMINAL LUG	1.000 EA
10XN2520A06	1/4 20X3/8 HX HD CAP	2.000 EA
06CB3000	BALDOR CONDUIT BOX CAST	1.000 EA
06GS1000	GASKET,CONDUIT BOX	1.000 EA
51XW2520A12	SCREW, HEX SER SLT HD, ZN, 1/4-20 X .75	2.000 EA
11XW1032G06	10-32 X .38, TAPTITE II, HEX WSHR SLTD U	1.000 EA
HW3001B01	BRASS CUP WASHER, FOR #10 SCREW	1.000 EA
35EP1100B21	FRONT TEBC 203 BRG W/ GREASER & THRU-SHA	1.000 EA
HW4500A01	1641B(ALEMITE)400 UNIV, GREASE FITT	1.000 EA
HW5100A03	WAVY WASHER (W1543-017)	1.000 EA
35EP1329A01	PU EP ENCL 143-5TC 205 BRG W/GRSR & STD	1.000 EA
HW4500A01	1641B(ALEMITE)400 UNIV, GREASE FITT	1.000 EA
51XN1032A20	10-32 X 1 1/4 HX WS SL SR	2.000 EA
HA3100A28	THRUBOLT 10-32 X 8.187	4.000 EA
10XN2520A08	1/4-20X1/2 HEX HEAD CAP	1.000 EA
HA3218A04	MALE-FEMALE STANDOFF .25-.20 .38 HEX	3.000 EA
10XN2520A04	1/4-20 X 1/4 HEX HD MACH SCREW	3.000 EA
HW1003A25	WASHER, 1/4 EX TH LK, ZN X	3.000 EA
06CB3500	BALDOR CONDUIT BOX LID	1.000 EA
06GS1001	BALDOR CONDUIT BOX GASKET	1.000 EA

Parts List (continued)		
Part Number	Description	Quantity
51XW2520A12	.25-20 X .75, TAPTITE II, HEX WSHR SLTD	2.000 EA
HA1005A05SP	SLINGER, OD 1.50, ID .659, 203 BRG	1.000 EA
HW2501D13	KEY, 3/16 SQ X 1.375	1.000 EA
HA7000A01	KEY RETAINER 7/8" DIA SHAFT	1.000 EA
MJ5004A05	#242-21 LOCTITE GENERAL PURPOSE MED. STR	0.005 EA
85XU0407S04	4X1/4 U DRIVE PIN STAINLESS	2.000 EA
LB1009N	LABEL,ROTATION DIRECTION (ON ROLLS)	1.000 EA
MJ1000A02	GREASE, MOBIL POLYREX EM - 124047	0.050 LB
05FH5001A03	BLOWER KIT,05FH4002,EF0008,35CB3002	1.000 EA
MG1000G27	MED CHARCOAL METALLIC GREY 400-0096	0.022 GA
LC0035B01	1PH, SV, FIX, 2 LEAD	1.000 EA
LB1119N	WARNING LABEL	1.000 EA
LC0145B01	CONNECTION LABEL	1.000 EA
NP1162L	SS INV UL CSA CC	1.000 EA
G7PA1000	PKG GRP, PRINT PK1034A06	1.000 EA
MN416A01	TAG-INSTAL-MAINT no wire (1200/bx) 3/19	1.000 EA

AC Induction Motor Performance Data

Page 1 of 1



**AC Induction Motor Performance Data**

Record # 36453

Typical performance - not guaranteed values

<b>Winding:</b> 05WGXX008	<b>Type:</b> 0530M	<b>Enclosure:</b> TEBC
---------------------------	--------------------	------------------------

Nameplate Data			General Characteristics at 460 V, 60 Hz: High Volt Connection		
Rated Output (HP)	1.5		Full Load Torque	4.49 LB-FT	
Volts	230/460		Start Configuration	DOL	
Full Load Amps	4.2/2.1		Break Down Torque	18.9 LB-FT	
R.P.M.	1760		Pull-Up Torque	10.1 LB-FT	
Hz	60	Phase	3	Locked-rotor Torque	13.8 LB-FT
NEMA Design Code	B	KVA Code	L	Starting Current	18 Amps
Service Factor	1		No-load Current	1.21 Amps	
NEMA Nom. Eff.	88.5	P.F.	76	Line-line Res. @ 25°C.	9.69 Ohms
Rating - Duty	40C AMB-CONT		Temp. Rise @ Rated Load	30°C	
S.F. Amps			Temp. Rise @ S.F. Load		

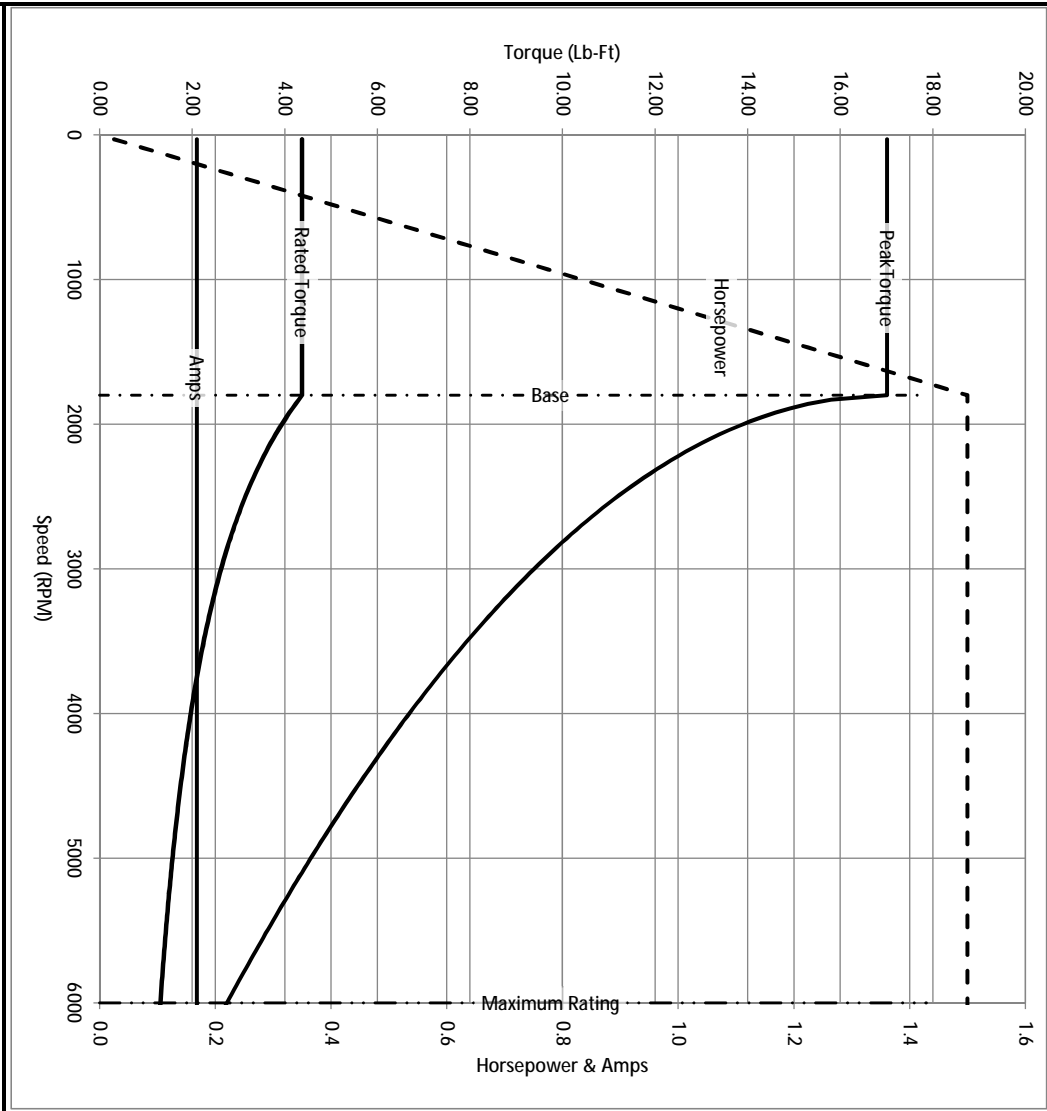
Load Characteristics at 460 Volts, 60 Hz, 1.5 HP

% of Rated Load	25	50	75	100	125	150	S.F.
Power Factor	33	54	67	75	80	83	
Efficiency	78.6	86.5	88.3	89	87.9	86.7	
Speed	1791	1782	1773	1761	1751	1738	
Line Amperes	1.29	1.49	1.76	2.1	2.49	2.91	

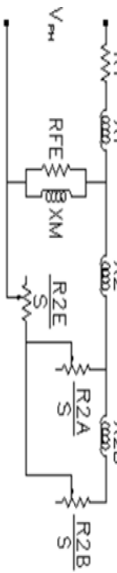
Baldor Electric Company Fort Smith, Arkansas



Catalog	IDM3584T	NIP VOLTS	230/460	ENCLOSURE	TEBC	WYE CONN EQ OKT OHMS PER PHASE (BASE RATING, 200)			
FRAME	145TC	NIP AMPS	4.2/2.1	Base Volts	460	R1	4.750	X1	9.269
HP	1.5 HP	DUTY	Cont	Base AMPS	2.1	R2	2.890	X2	8.117
BASE SPEED	1800	MAX SAFE RPM	6000	Slip Hz	1.30			XMI	224.937
PHASE/HZ	3/60	AMB <sup>6</sup> /C/INSUL	40/F	WK <sup>2</sup> (lb-ft <sup>2</sup> )	0.177				



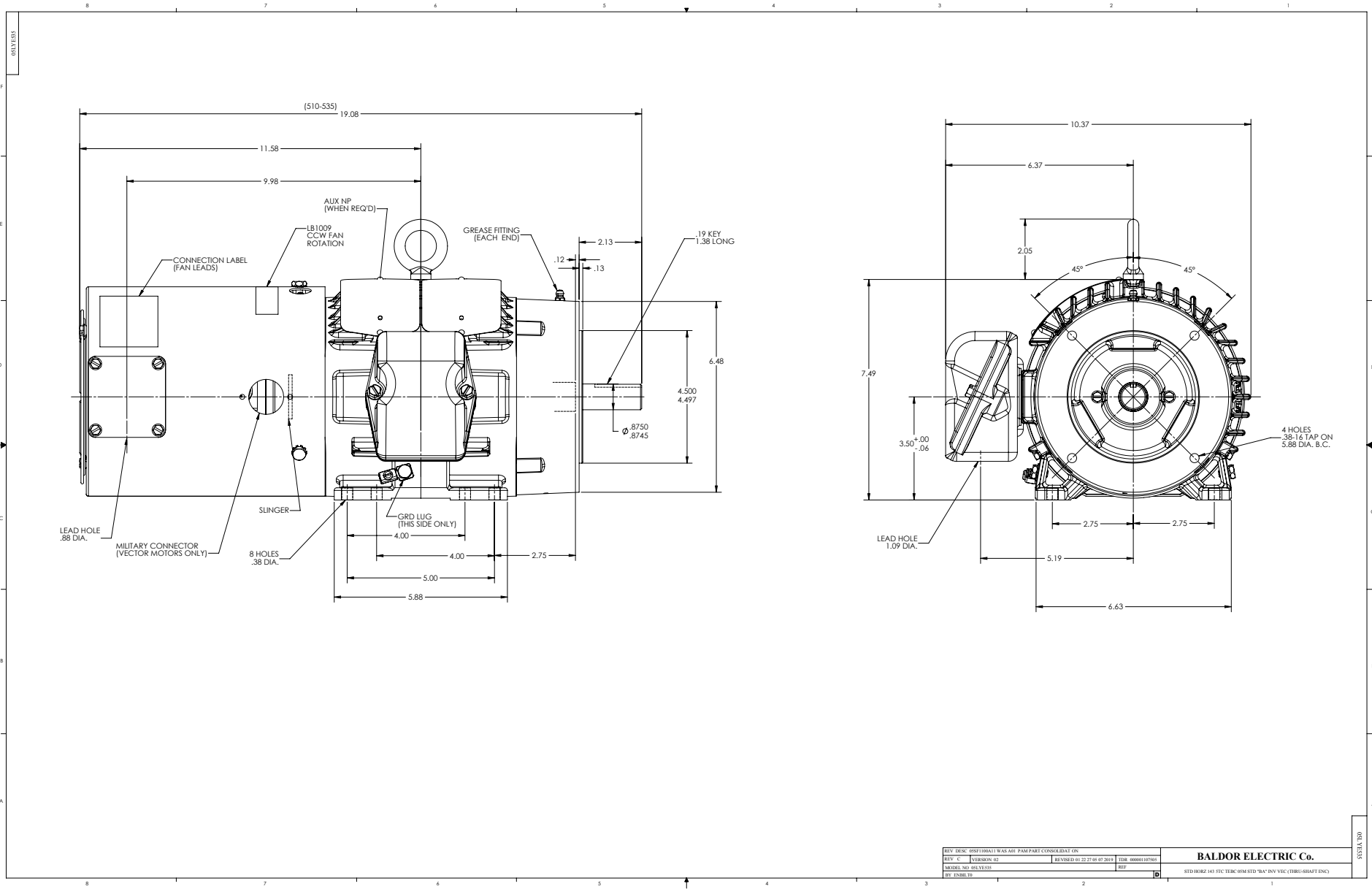
Remarks: Calculated Data



**BALDOR** DR BY ENR  
 CK BY  
 APP BY ENR  
 DATE 2/26/2013

A MEMBER OF THE ABB GROUP

A-C MOTOR PERFORMANCE CURVES  
 05E535X008G1  
 ISSUE DATE 2/26/2013



CD0005



LOW VOLTAGE  
(2Y)



LINE

HIGH VOLTAGE  
(1Y)



LINE

NOTES:

1. INTERCHANGE ANY TWO LINE LEADS TO REVERSE ROTATION.
2. OPTIONAL THERMOSTATS ARE PROVIDED WHEN SPECIFIED.
3. ACTUAL NUMBER OF INTERNAL PARALLEL CIRCUITS MAY BE A MULTIPLE OF THOSE SHOWN ABOVE.
4. LEAD COLORS ARE OPTIONAL. LEADS MUST ALWAYS BE NUMBERED AS SHOWN.

REV. DESC: REVISE TO SHOW OPTIONAL COLORS			
REV. LTR: E	BY: JLP	REVISED: 01/19/99 10:15	TDR: 0171435
900000		FILE: AAA00005140	MDL: -
		MTL: -	

**BALDOR ELECTRIC Co.**

3PH, DV, 9 LEADS

CD0005